

MINERAL INSULATED THERMOCOUPLE

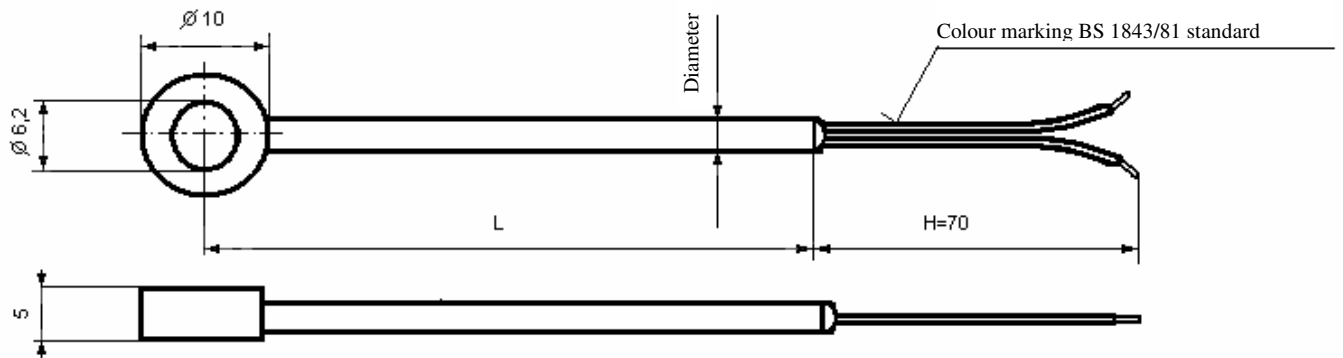


NMG : thermocouple type

Description:

Mineral insulated thermocouple sensor, mounted with screw.

Temperature: „J” and „L” type 0...750 °C, „K” type 0...1100 °C,
„T” type -190...400 °C, „E” type 0...900 °C, „N” type 0...1250 °C



Ordering code:

N	M	G						
---	---	---	--	--	--	--	--	--

Type of mineral insulated thermocouple:

„J” Fe-CuNi 0...750 °C (IEC584)
 „L” Fe-CuNi 0...750 ° (DIN 43710)
 „K” NiCr-Ni 0...1100 °C (IEC584)
 „T” Cu-CuNi -190...400°C(IEC584)
 „E” NiCr-CuNi 0...900 °C (IEC584)
 „N” NiCrSi-NiSi 0...1250 °C(IEC584)
 Other

J
L
K
T
E
N
9

Class of accuracy (IEC584):

I.
II.

1
2

Construction:

Single
Double

1
2

Heat junction:

Ungrounded
Grounded

1
2

Material of mineral ins. TC:

1.4541
1.4841
Pyrosil
Inconel
Other

1
2
3
4
9

Diameter of mineral insulated TC (mm):

0,5 1 1,5 (2) 3 (4,5)

--

Insertion length:

L (mm)

--

Naturally, we can differ from the above construction.

Please, fill in the ordering code and send your enquiry (order) to us.

fax: 00-36-1-282-6135, e-mail: ugyfelsz@rhodium.hu, We will discuss the details.

If you have question, please call: 00-36-1-282-5689 and 00-36-1-282-8308, Our customer service is available.