

WIRE THERMOCOUPLE

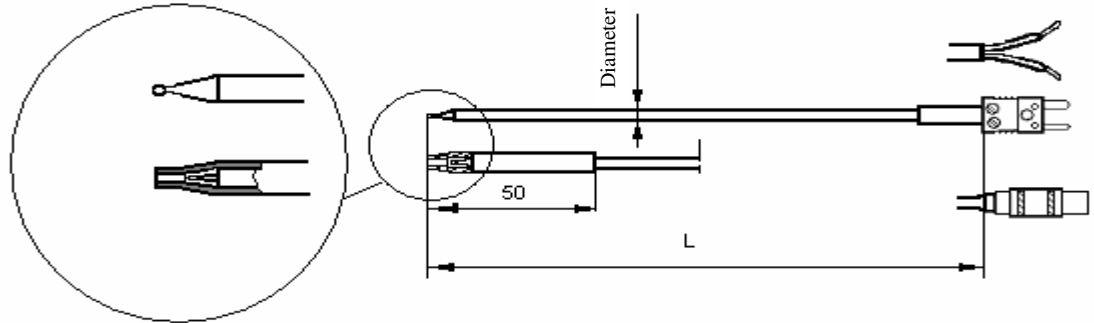


NOA : thermocouple type

Description:

Special wire thermocouple with ungrounded or grounded junction. Small cross section and mass → quick reaction time. Flexible.

Temperature: „T” „J” „K” type 0...max 400 °C , It depends on the exterior material of the cable and the heat junction.



Ordering code:

MEASURING-ELEMENT:

N	O	A																	
---	---	---	--	--	--	--	--	--	--	--	--	--	--	--	--	--	--	--	--

Type of thermocouple:

„T” Cu-CuNi (IEC584)

„J” Fe-CuNi (IEC584)

„K” NiCr-Ni (IEC584)

Other

T
J
K
9

Class of accuracy (IEC584):

I.

II.

1
2

Construction:

Single

Double

1
2

Heat junction:

Ungrounded

Grounded

1
2

WIRE:

Wire exterior material

Teflon FEP 200°C	Teflon PFA 260 °C	Kapton 285 °C	Fiberglass 400 °C	Other
1	2	3	4	9

1
2
3
4
9

Shield of wire

Non

Exterior

Interior

0

1

2

0
1
2

Diameter of wire [mm]: 0,9

2,8

Other

0	9
2	8
9	9

Length of wire :H [mm]

END TERMINATION:

Connection

	Bare ends	0
„J”	Black - IEC584- mini male connector	1
„L”	Blue - DIN43710-4 - mini male connector	2
„K”	Green - IEC584- mini male connector	3
„K”	Yellow - ANSI- mini male connector	4
„K”	Brown - 650 °C- mini male connector	5
„T”	Brown - IEC584- mini male connector	6
„T”	Blue - ANSI- mini male connector	7
	LEMO - self-locking round connection	9

0
1
2
3
4
5
6
7
9

Naturally, we can differ from the above construction.

Please, fill in the ordering code and send your enquiry (order) to us.

fax: 00-36-1-282-6135 , e-mail: ugyfelsz@rhodium.hu , We will discuss the details.

If you have question, please call: 00-36-1-282-5689 and 00-36-1-282-8308, Our customer service is available.