

FLANGED TEMPERATURE SENSORS

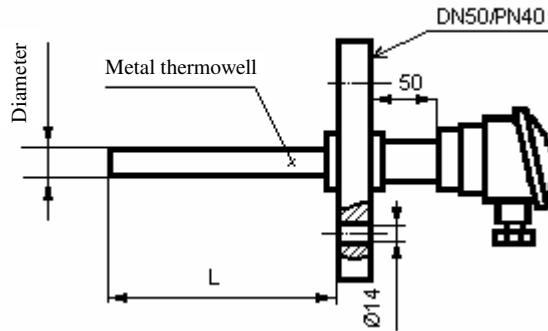


VND E: resistance type

Description:

Resistance sensor, **DN50/PN40** flanged mounting with neck (length of neck=**50 mm**) with connection head , for temperature measuring of fluent and gaseous agents.

Temperature: -200...+600°C, -50...+400°C



Ordering code:
MEASURING-ELEMENT:

V N D E

Resistance type: Pt100
Other

1
9

Class of accuracy: A
B
Egyéb

A
B
9

Construction: Single
Double
Triple

1
2
3

Connection: 2 wire
3 wire
4 wire

2
3
4

Measuring range: -200...+600° C
-50...+400° C

1
2

THERMOWELL:

Material of thermowell : 1.4301
1.4541
1.4571
Other

1
2
3
9

Diameter of th.well [mm]: 13,5
15,0
16,0
18,0
20,0
22,0
Other

1	3	5
1	5	
1	6	
1	8	
2	0	
2	2	
9		

Length of thermowell: L [mm]:

Naturally, we can differ from the above construction.

Please, fill in the ordering code and send your enquiry (order) to us.

fax: 00-36-1-282-6135 , e-mail: ugyfelsz@rhodium.hu , We will discuss the details.

If you have question, please call: 00-36-1-282-5689 and 00-36-1-282-8308, Our customer service is available.