

FLANGED TEMPERATURE SENSORS

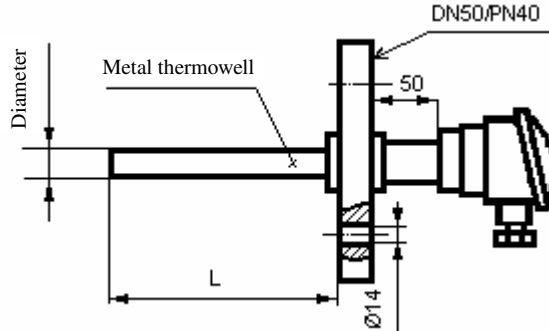


VND H: thermocouple type

Description:

Thermocouple sensor, **DN50/PN40** flanged mounting with neck (length of neck=**50 mm**) with connection head, for temperature measuring of fluent and gaseous agents.

Temperature: „J” 0...750°C, „K” 0...1100°C, „S” 0...1300°C, „R” 0...1400°C, „B” 0...1800°C



Ordering code:

MEASURING-ELEMENT:

<u>Thermocouple type:</u>	(Fe-CuNi)	J
	(NiCr-Ni)	K
	(PtRh90/10-Pt)	S
	(PtRh87/13-Pt)	R
	PtRh70/30-PTRh94/6)	B
	Other	9

<u>Class of accuracy:</u>	(J, K, S, R)	I.
	(B)	II.

<u>Diameter of thermocouple (mm):</u>	(J, K)	3,0
	(J, K)	1,0
	(S, B)	0,5
	(S, R)	0,35
	Other	9

<u>Construction:</u>	single
	double

THERMOWELL:

<u>Material of thermowell:</u>	1.4301
	1.4541
	1.4571
	Other

<u>Diameter of thermowell [mm]:</u>	13,5
	15,0
	16,0
	18,0
	20,0
	22,0
	Other

Length of thermowell: L [mm]:

V	N	D	H						
---	---	---	---	--	--	--	--	--	--

J
K
S
R
B
9

1
2

3
1
0, 5
0, 3 5
9

1
2
3
9

1 3 5
1 5
1 6
1 8
2 0
2 2
9

Naturally, we can differ from the above construction.

Please, fill in the ordering code and send your enquiry (order) to us.

fax: 00-36-1-282-6135 , e-mail: ugyfelsz@rhodium.hu , We will discuss the details.

If you have question, please call: 00-36-1-282-5689 and 00-36-1-282-8308, Our customer service is available.