

# FLANGED TEMPERATURE SENSORS

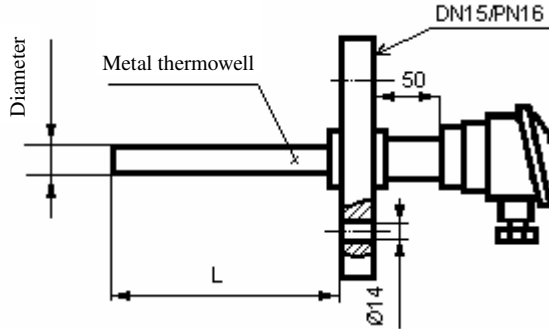


## VNE H: thermocouple type

### Description:

Thermocouple sensor, **DN15/PN16** flanged mounting with neck (length of neck=**50 mm**) with connection head, for temperature measuring of fluent and gaseous agents.

Temperature: „J” 0...750°C, „K” 0...1100°C, „S” 0...1300°C, „R” 0...1400°C, „B” 0...1800°C



### Ordering code: MEASURING-ELEMENT:

Type of thermocouple: (Fe-CuNi) J  
(NiCr-Ni) K  
(PtRh90/10-Pt) S  
(PtRh87/13-Pt) R  
(PtRh70/30-PtRh94/6) B  
Other 9

Class of accuracy: (J, K, S, R) I.  
(B) II.

Diameter of thermowell-wire (mm):  
(J, K) 3,0  
(J, K) 1,0  
(S, B) 0,5  
(S, R) 0,35  
Other 9

Construction: simple  
double

### THERMOWELL:

Material of thermowell: 1.4301  
1.4541  
1.4571  
Other

Diameter of thermowell [mm]: 13,5  
15,0  
16,0  
18,0  
20,0  
22,0  
Other

Length of thermowell: L [mm]:

V N E H

J  
K  
S  
R  
B  
9

1  
2

3  
1  
0, 5  
0, 3 5  
9

1  
2

1  
2  
3  
9

1 3 5  
1 5  
1 6  
1 8  
2 0  
2 2  
9

Naturally, we can differ from the above construction.

Please, fill in the ordering code and send your enquiry (order) to us.

fax: 00-36-1-282-6135, e-mail: [ugyfelsz@rhodium.hu](mailto:ugyfelsz@rhodium.hu), We will discuss the details.

If you have question, please call: 00-36-1-282-5689 and 00-36-1-282-8308, Our customer service is available.