

FLANGED TEMPERATURE SENSORS

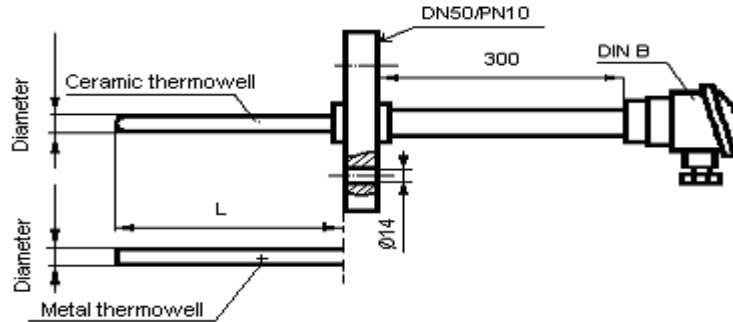


VNH E: resistance type

Description:

Flanged resistance temperature sensor with connection head (DIN B) and neck (length=300 mm), DN50/PN10 for measuring of fluid and gaseous agents.

Temperature: -200...+600°C, -50...+400°C



Ordering code:
MEASURING ELEMENT:

V N H E

Resistance type: Pt100
Other

1
9

Class of accuracy: A
B
Other

A
B
9

Construction: Single
Double
Triple

1
2
3

Connection: 2 wire
3 wire
4 wire

2
3
4

Measuring-range: -200...+600° C
-50...+400° C

1
2

THERMOWELL:

Material of thermowell: 1.4301
1.4541
1.4571
C530
C610
C799
Other

1
2
3
4
5
6
9

Diameter of th.well [mm]: 13,5
15,0
16,0
18,0
20,0
22,0
24,0
(C610,C799)
26,0
(C530)
Other

1 3 5
1 5
1 6
1 8
2 0
2 2
2 4
2 6
9

Length of thermowell: L [mm]:

Naturally, we can differ from the above construction.

Please, fill in the ordering code and send your enquiry (order) to us.

fax: 00-36-1-282-6135 , e-mail: ugyfelsz@rhodium.hu , We will discuss the details.

If you have question, please call: 00-36-1-282-5689 and 00-36-1-282-8308, Our customer service is available.